

## TM 80 A TM 80 R



### Application:

Thermomanometer is certain for measurement pressure and temperature from demand place. For all gaseous and low-viscosity liquid media that will not obstruct the pressure system or attack copper alloy parts.

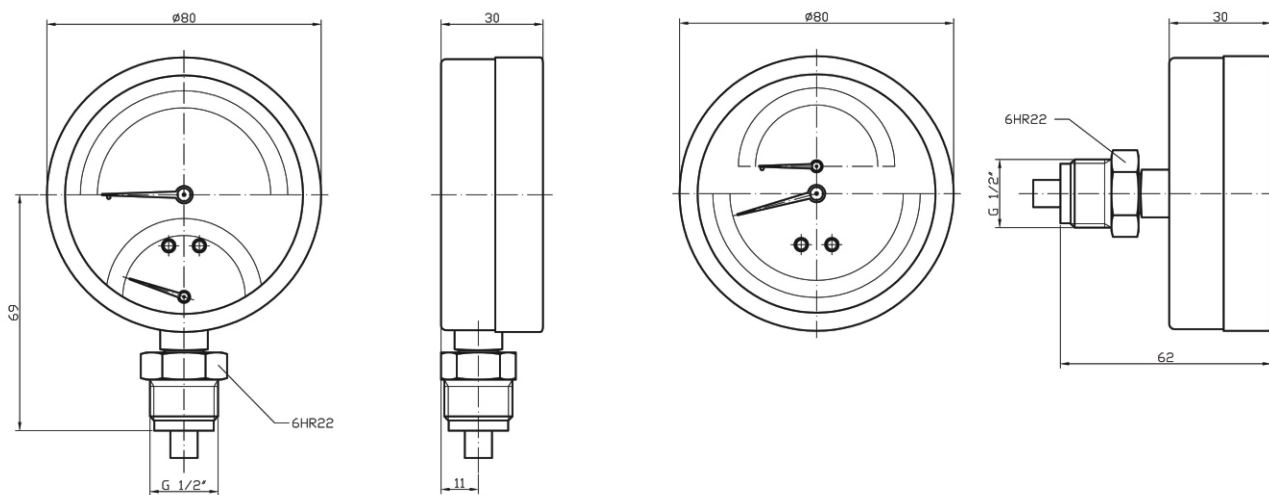
Suitable for industry, heating, water supply, air-conditioning, pneumatics.

### Technical parameters:

Construction:

Nominal size	80 mm
Case	carbon steel black
Sheath	carbon steel chrome
Window	plastic
Dial	white aluminium, colour fields
Pointer	black aluminium, adjustable red pointer
Scale	black marking
Measure element	P - bourdon tube T - bimetalic
Connection thread	G1/2 with shut off valve
Material of connection	brass
Pressure range	0-4 bar, 0-6 bar
Temperature range	0-120 °C, 0-150 °C
Connection	bottom, center back
Accuracy	temperature class 2 pressure 4%
Operating temperature	-20 / 60 °C
Options	*

\* marked execution on special request



### IDENTIFICATION:

model	pressure range(bar)	temperature range (°C)	connection	weight
<b>TM 80 A</b>	0-4, 0-6	0-120, 0-150	back	200 g
<b>TM 80 R</b>	0-4, 0-6	0-120, 0-150	bottom	200 g