

MM 60 K/317/1,6



Application:

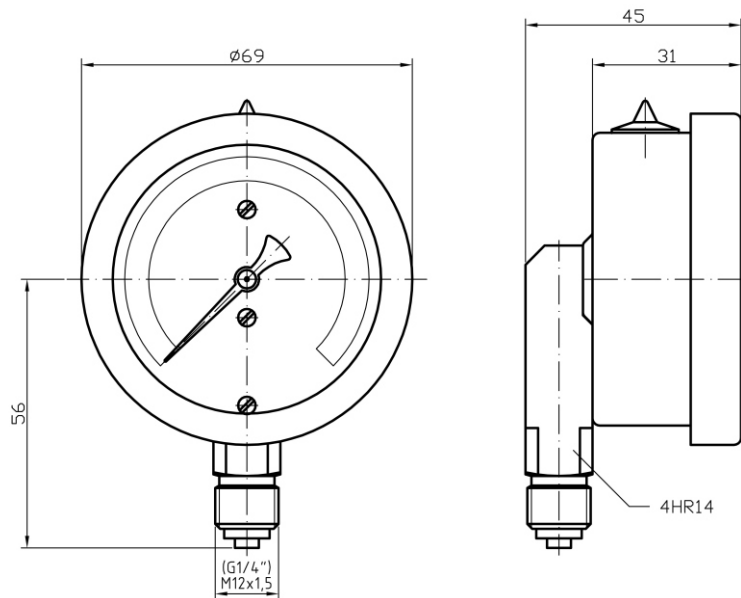
Suitable for dry and gaseous media that will not obstruct the pressure system or attack copper alloy parts.

Suitable for gas industry, mechanical engineering, environmental technology, plant construction, industry and technological systems and medical.

Technical parameters

Construction:	EN 837-3
Nominal size	63 mm
Accuracy class	1,6%
Scale range	0-4 kPa to 0-40 kPa, 0-40 mbar to 0-400 mbar vacuometer, manovacumeter*
Working pressure	static load 75% of full scale value dynamic load 65% of full scale value
Operating temperature	ambient -20.....+60°C medium max. +60°C
Temperature effect	when temperature of the pressure element deviates from reference (+20°C) ± 0,6%/10K
Movement	brass
Dial	white aluminium, dial marking black
Pointer	black aluminium
Lens	polycarbonate
Case	bayonet ring, stainless steel
Measuring element	capsule diaphragm
Socket	brass
Connection	lower mount (LM)
Connection thread	M 12x1,5 (G1/4, other)*
Protection	IP 65 EN 60 529

* marked execution on special request



IDENTIFICATION:

model	execution	pressure range	flange	weight
MM 60 K/317/1,6	dry	0-40 mbar ÷ 0-400 mbar		185 g