

MM 60 O/155/1,6

Application:

Pressure gauge is suitable for measuring of two separate pressures, for all gaseous and low-viscosity liquid media (without pollutions) that will not obstruct the pressure system or attack copper alloy parts.

Suitable for rail cars, especially for pneumatic brake systems and fuel systems.

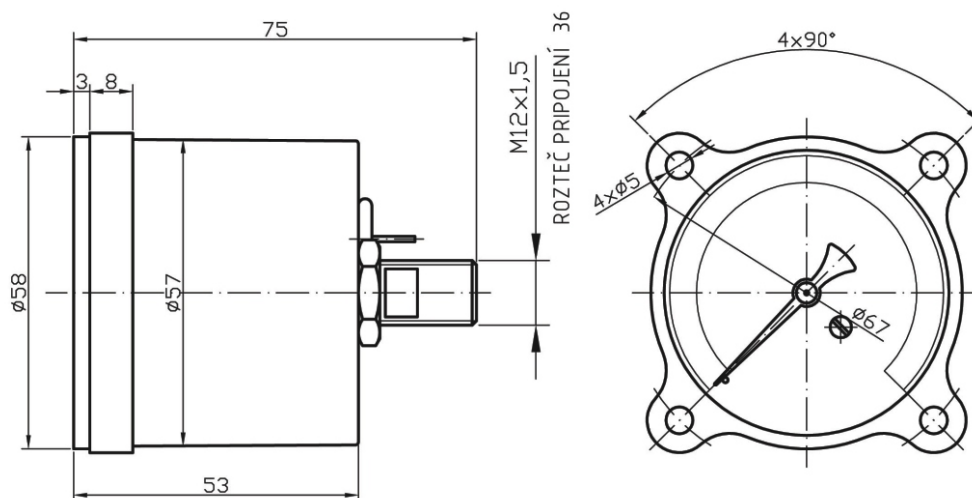
Construction:

The pressure gauges are provided with two independently working measuring systems. Each system has a separate pressure connection. A special duplex movement with two pointer arbors transfers the pressure caused motion of bourdon tubes to the pointers.

Technical parameters:

Construction:	EN 837-1
Nominal size	63 mm
Accuracy class	1,6%
Scale range	0-10 bar, 0-16 bar, others upon request
Working pressure	static load 75% of full scale value dynamic load 65% of full scale value gauge pressure 100% of full scale value
Operating temperature	ambient 20.....+60°C medium max. +60°C
Temperature effect	when temperature of the pressure element deviates from reference (+20°C) ± 0,4%/10K
Humidity	90% at 20°C
Mechanical load	tolerant about mechanical vibration to range 5-80 Hz with amplitude max. 1,5mm and acceleration max. 10g
Movement	brass, duplex
Dial	white aluminium, dial marking black, with zero stop (stop in) customer execution on special request (coloured field, icons)
Pointers	2 x aluminium RED (RAL3000), BLACK (RAL9005), BLUE (RAL5012)
Lens	glass, at recalibration to dismantle
Case	black bakelite, U-clamp for panel mounting
Measuring element	2 x bourdon tube, bronze, C-type
Mounting position	90° (other request /45°,60°) *
Socket	brass
Connection	2 x Lower back mount (LBM), eccentric
Connection thread	M 12x1,5 (G1/4, other)*
Protection	IP 54 EN 60 529
Lighting	lamp type T5,5 24 V, DC, lcc max. 50mA/24V
Options	* customer execution on special request

* marked execution on special request



IDENTIFICATION:

model	execution	pressure range	mounting	weight
MM 60 O/155/1,6	with lighting	0-10 bar \pm 0-16 bar	front flange	195 g