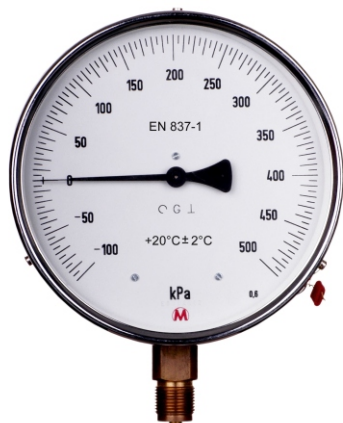


MM 160 P/114/0,6



Application:

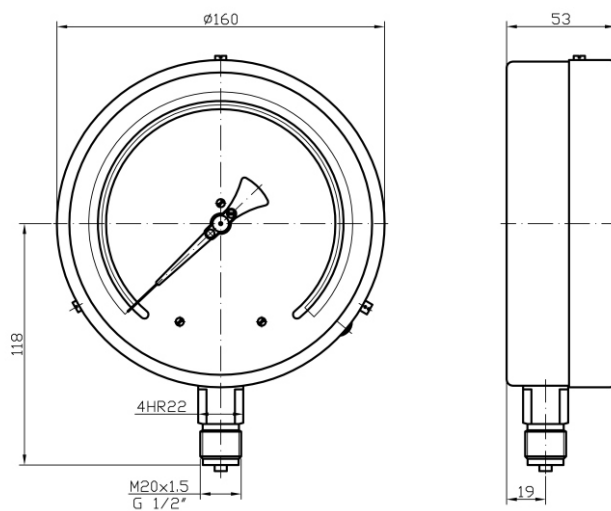
For all gaseous and low-viscosity liquid media that will not obstruct the pressure system or attack copper alloy parts.

Testing and comparing process instruments and measuring services where high accuracy is required.

Technical parameters:

| | |
|-----------------------|---|
| Construction | EN 837-1 |
| Nominal size | 160 mm |
| Accuracy class | 0,6% |
| Scale range | 0-60 kPa to 0-10 MPa, 0-0,6 bar to 0-100 bar |
| Working pressure | static load 75% of full scale value dynamic load 65% of full scale value |
| Operating temperature | ambient +20°C ± 2°C medium max. +20°C ± 2°C |
| Temperature effect | when temperature of the pressure element deviates from reference (+20°C) ± 0,4%/10K |
| Movement | brass, |
| Dial | white aluminium, dial marking black |
| Pointer | black aluminium, knife edged |
| Lens | glass |
| Case | black aluminium chromium plated |
| Measuring element | bourdon tube brass |
| Calibration medium | inert gas (nitrogen N) |
| Socket | brass |
| Connection | lower mount (LM) |
| Connection thread | M 20x1,5 (G1/2, other)* |
| Protection | IP 31 EN 60 529 |
| Options | * |

* marked execution on special request



IDENTIFICATION:

| model | execution | pressure range | flange | weight |
|-------------------------|-----------|-----------------------|--------|--------|
| MM 160 P/114/0,6 | dry | 0-0,6 bar ÷ 0-100 bar | | 1150 g |