

### TPAC 51.10 TPRC 52.10

#### Application:

Thermometer is certain for contact measurement of temperature of gaseous or liquid media.

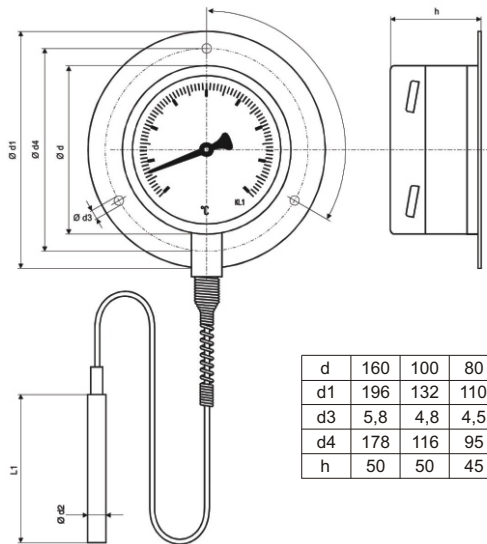
Suitable for chemical industry, food industry, mechanical engineering.



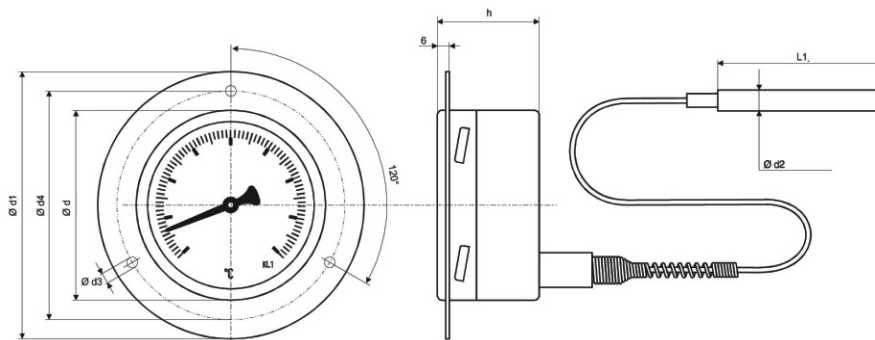
#### Technical parameters:

Construction:	DIN 16 205
Nominal size	63, 80, 100, 160 mm
Thermometer body	bayonet ring, stainless steel
Lens	glass
Dial	white aluminium
Pointer	black aluminium
Scale	black print
Measure element	liquid expansion
Lenght of capillary	0,5.....12 m
Accuracy	class 1 DIN 16 203
Immersion and protection tube	stainless steel
Diam. of immersion tube	6, 8, 10, 12 mm
Lenght of immersion tube	50, 100 mm
Temperature range	-150.....700°C
Connection	back, eccentric
Ambient temperature	-20/60°C
Protection	IP65
Options	another range another unit liquid filling, front or backward flange magnetic contacts
Notice	measuring part of thermometer must be immersed into measuring medium. Use termometer with protection thermowell.

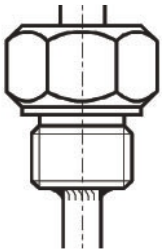
\* marked execution on special request



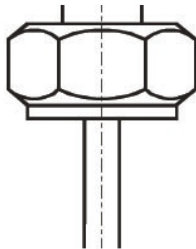
d	160	100	80	63
d1	196	132	110	85
d3	5,8	4,8	4,5	4,5
d4	178	116	95	75
h	50	50	45	45



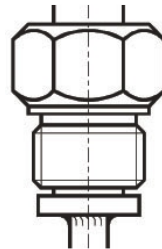
#### Fixed thread



#### Union nut



#### Circular thread



#### Connection thread

G 1/2	M 18x1,5
G 3/4	M 20x1,5
G 1	M 24x1,5

#### IDENTIFICATION:

Type	Connection	Mounting
<b>TPRC 52.10</b>	stem	bottom
<b>TPRC 52.11</b>	with fixed thread	bottom
<b>TPRC 52.12</b>	with circular thread	bottom
<b>TPRC 52.13</b>	with union nut	bottom
<b>TPAC 51.10</b>	stem	backward
<b>TPAC 51.11</b>	with fixed thread	backward
<b>TPAC 51.12</b>	with circular thread	backward
<b>TPAC 51.13</b>	with union nut	backward

Specifications are subject to change without notice

KL T PAC - 2008/05 E