



TCHA 31.10 TCHR 30.10

Application:

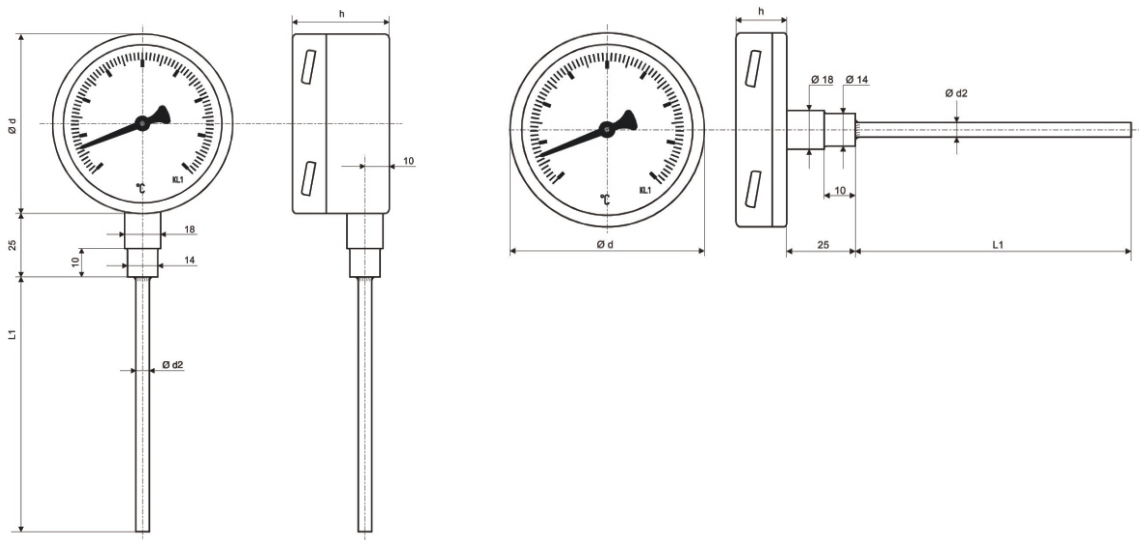
Bimetal thermometer is certain for contact measurement of temperature of gaseous or liquid media.

Suitable for chemical industry, food industry, mechanical engineering.

Technical parameters:

Construction:	EN 13 390
Nominal size	63, 80, 100, 160 mm
Thermometer body	bayonet ring, stainless steel
Lens	glass
Dial	white aluminium
Pointer	black aluminium
Scale	black print
Measure element	bimetal strip
Accuracy	class 1 DIN 16 203
Immersion and protection tube	stainless steel
Diam. of immersion tube	6, 8, 10, 12 mm
Length of immersion tube	50, 100, 160, 200, 400 mm
Temperature range	-30/50, 0/60, 0/120, 0/160, 0/200, 0/350, 0/500 °C
Connection	bottom, backward eccentric
Ambient temperature	-20/60°C
Protection	IP65
Options	another range another unit liquid filling, front or backward flange magnetic contacts
Notice	measuring part of thermometer must be immersed into measuring medium. Use thermometer with protection thermowell.

* marked execution on special request



Dimension mm

Dimension d 2

6 mm
8 mm
10 mm

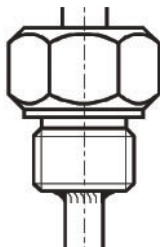
Dimension mm

d	h
160	28
100	28
80	24
63	20

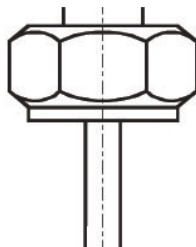
Connection thread

G 1/2	M 18x1,5
G 3/4	M 20x1,5
G 1	M 24x1,5

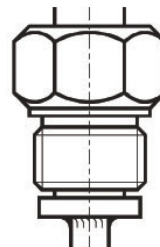
Fixed thread



Union nut



Circular thread



Identification:

Type	Connection	Assembly
TCHR 30.10	stem	bottom
TCHR 30.11	with fixed thread	bottom
TCHR 30.12	with circular thread	bottom
TCHR 30.13	with union nut	bottom
TCHA 31.10	stem	backward
TCHA 31.11	with fixed thread	backward
TCHA 31.12	with circular thread	backward
TCHA 31.13	with union nut	backward