



MM 60 K/117/1,6
MM 60 K/217/1,6
MM 60 G/117/1,6
MM 60 G/217/1,6

Application:

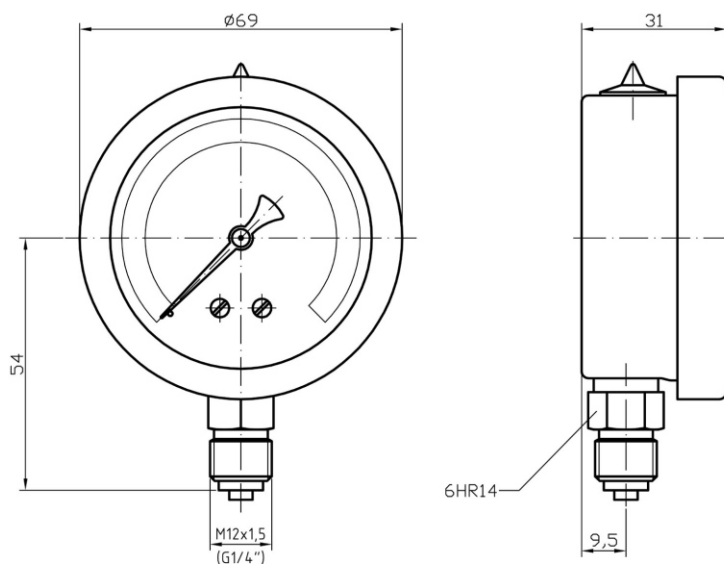
Suitable for all gaseous and liquid media that will not obstruct the pressure system or attack copper alloy parts. With liquid filled case for applications with high dynamic pressure pulsations or vibrations.

Suitable for industry, mechanical engineering, environmental technology, plant construction, industry and technological systems.

Technical parameters

Construction:	EN 837-1
Nominal size	63 mm
Accuracy class	1,6%
Scale range	0-60 kPa to 0-60 MPa, 0-0,6 bar to 0-600 bar
Working pressure	static load 75% of full scale value dynamic load 65% of full scale value
Operating temperature	ambient 20.....+60°C without liquid filling ambient 20.....+60°C with liquid filling medium max. +60°C without liquid filling medium max. +60°C with liquid filling
Temperature effect	when temperature of the pressure element deviates from reference (+20°C) ± 0,4%/10K
Movement	brass
Dial	white aluminium, dial marking black
Pointer	black aluminium
Lens	polycarbonate
Case	bayonet ring, stainless steel
Measuring element	≤ 60 bar „C“ type > 60 bar helical type
Socket	brass
Connection	lower mount (LM)
Connection thread	M 12x1,5 (G¼, other)*
Protection	IP 65 EN 60 529
Filling	glycerine (silicone)*
Options	*

* marked execution on special request



IDENTIFICATION:

model	execution	pressure range	flange	weight
MM 60 K/117/1,6	dry	0-0,6 bar ÷ 0-60 bar		115 g
MM 60 K/217/1,6	dry	0-100 bar ÷ 0-600 bar		115 g
MM 60 G/117/1,6	glycerine	0-0,6 bar ÷ 0-60 bar		185 g
MM 60 G/217/1,6	glycerine	0-100 bar ÷ 0-600 bar		185 g