

Typ FF



Application:

Suitable to separate measured medium from pressure gauge or pressure transmitter. For difficult gaseous and liquid media which are highly viscous (paste form), aggressive, includes element or pollute or for places with high sanitary code which request regular cleaning of measurement place and where needs provide that after cleaning do not stay any subsidence of media. Construction and measurement provide practical and certain installation and simple cleaning of measurement place.

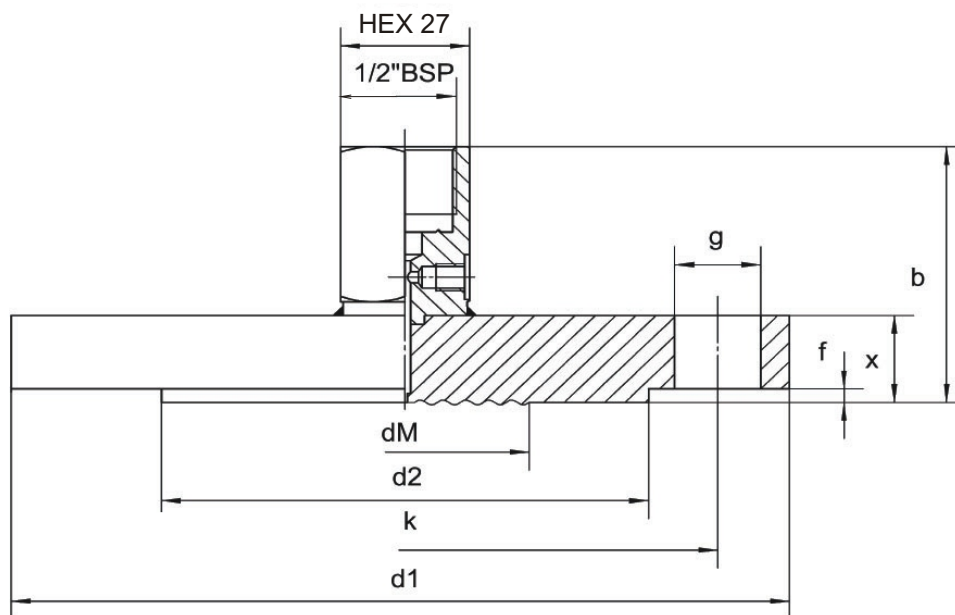
The medium wetted parts of these diaphragm seal are manufactured in stainless steel 1.4571 or can be manufactured in special materials for particular service conditions.

Diaphragm seals with a flush welded diaphragm are mountable on pressure gauges and pressure transmitters. Suitable for all industries district, above process engineering, food processing, manufacture beverage, also chemical and petrochemical industries.

Technical parameters:

Process connection	flange to DIN 24,40,50 to EN 1092-1 form B1 (DIN 2501) NPS 1", ½", 2" to ASME B 16,5, RF 125 to 250
Scale range	1 to 250 bar (depending on access flange)
Instrument connection	G ½", (capillary)*
Diaphragm	1.4571 (special materials on request e.g. Tantal, Monel, Hastelloy)*
Operating temperature	150°C (to 400°C)*

* marked execution on special request



EN 1092/B1

DN (mm)	PN (bar)	dimensions (mm)								Number of bolt holes	Weigt (kg)
		dM	d1	x	g	k	f	d2			
25	10/100	32	115	22	14	85	2	68	4	1,5	
	63/100	25	140	24	18	100	2	68	4	2,5	
40	10/100	45	150	18	18	110	2	88	4	2,1	
	63/100	45	170	26	22	125	2	88	4	4	
	160	45	170	28	22	125	2	88	4	4,3	
50	250	45	185	34	26	135	2	88	4	6,3	
	10/100	59	165	20	18	125	2	102	4	3,3	
	63	59	180	26	22	135	2	102	4	5,1	
	100	59	195	28	26	145	2	102	4	6,5	
	160	59	195	30	26	145	2	102	4	7	
	250	59	200	38	26	150	2	102	8	9,3	

other dimension DN on request

ASME B 16.5

NPS (mm)	Class	dimensions (mm)								Number of bolt holes	Weigt (kg)
		dM	d1	x	g	k	f	d2			
1"	150	32	110	22	16	79,5	2	51	4	1,4	
	300	25	125	22	20	89	2	51	4	1,7	
1 1/2"	150	45	130	22	16	98,5	2	73	4	1,6	
	300	45	155	22	22	114,5	2	73	4	2,5	
	600	45	155	29,5	22	114,5	7	73	4	3,3	
	1500	45	180	39	30	124	7	73	4	5,9	
2"	150	59	150	20	20	120,5	2	92	4	2,7	
	300	59	165	22,5	20	127	2	92	8	3,7	
	600	59	165	32	20	127	7	92	8	5,7	
	1500	59	215	45	26	165	7	92	8	13,2	
	2500	59	235	57,5	30	171,5	7	92	8	19,8	

other dimension NPS on request