



**MM 160 D/116/1,6
MM 160 D/146/1,6**

Application:

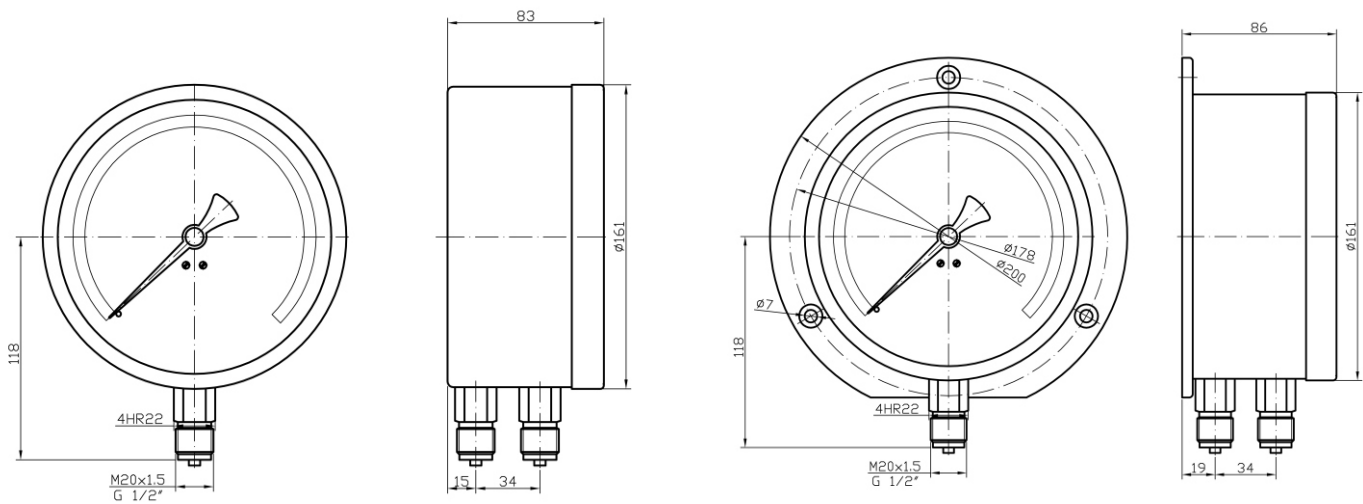
For all gaseous and low-viscosity liquid media that will not obstruct the pressure system or attack copper alloy parts.

Suitable for industry, heating, water supply, air conditioning. For measuring pressure difference between two pressure at filters, heating circuit, etc.

Technical parameters:

Construction	EN 837-1
Nominal size	160 mm
Accuracy glass	1,6%
Scale range	0-60 kPa to 0-10 MPa, 0-0,6 bar to 0-100 bar
Working pressure	Static load 75% of full scale value dynamic load 65% of full scale value
Operating temperature	ambient - 20.....+60°C medium max +60°C
Temperature effect	when temperature of the pressure element deviates from reference(+ 20°C) ± 0,4%/10K
Movement	brass
Dial	white aluminium, dial marking black
Pointer	black and red aluminium
Lens	glass
Case	bayonet ring, carbon steel black
Measuring element	bourdon tube "C" typ
Socket	brass
Connection	2x lower mount (LM)
Connection thread	M 20x1,5 (G 1/2, other)*
Protection	IP 31 EN 60 529
Options	backward flange*

* marked execution on special request



IDENTIFICATION:

model	execution	pressure range	flange	weight
MM 160 D/116/1,6	dry	0-0,6 bar ÷ 0-100 bar		1600 g
MM 160 D/146/1,6	dry	0-0,6 bar ÷ 0-100 bar	backward	1750 g