

**MM 60 T/112/2,5
MM 60 T/212/2,5**



Application:

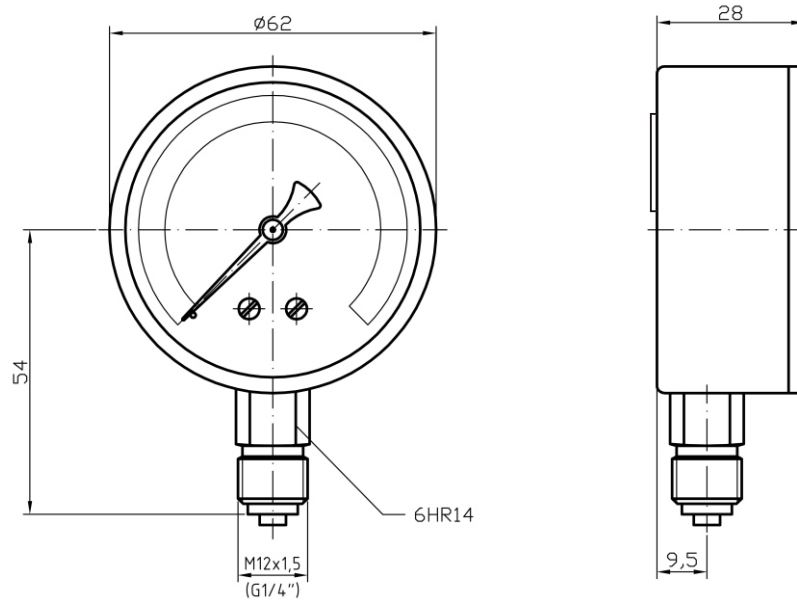
For special gas pressure gauge that will not obstruct or attack copper alloy parts.

Suitable for measurement pressure on reducing valve, welding, cutting and related processes.

Technical parameters

Construction:	EN 562
Nominal size	63 mm
Accuracy class	2,5%
Scale range	0-100 kPa to 0-6 MPa, 0-10Mpa to 0-31,5 Mpa
Working pressure	static load 75% of full scale value dynamic load 65% of full scale value
Operating temperature	ambient 20.....+60°C medium max. +60°C
Temperature effect	when temperature of the pressure element deviates from reference (+20°C) ± 0,4%/10K
Movement	brass
Dial	white aluminium, dial marking black
Pointers	black aluminium
Lens	polycarbonate
Case	carbon steel black with blow out hole
Measuring element	bourdon tube, copper alloy with max. 70% Cu ≤ 60bar "C" type ≥ 60bar helical type
Socket	brass
Connection	lower mount (LM)
Connection thread	M 12x1,5 with tie bolt (G1/4, other)*
Protection	IP 32 EN 60 529
Options	*

* marked execution on special request



IDENTIFICATION:

Model	execution	pressure range	weight
MM 60 T/112/2,5	dry	0-100 kPa ÷ 0-6 Mpa	135 g
MM 60 T/212/2,5	dry	0-10 MPa ÷ 0-31,5 MPa	135 g