

KL T 02XX - 2008/05 E



T 02XX

Application:

Thermometer is certain for contact measurement of temperature of gaseous or liquid media.

Suitable for industry, heating, water supply, air-conditioning, pneumatics.

Technical parameters:

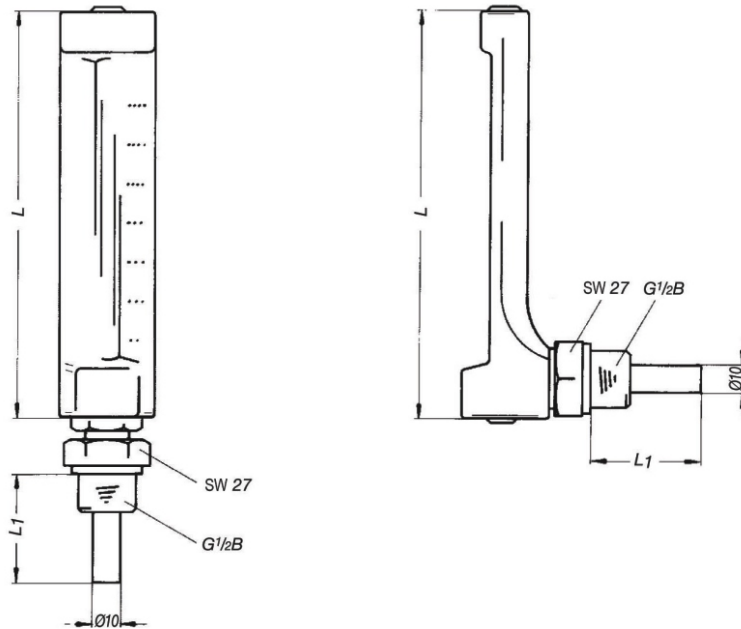
Construction:

Nominal size	110x35, 150x35, 200x35 mm
Thermometer body	aluminium, anodised
Measure element	glass capillary
Scale	black print
Measure medium	spirit (blue)
Connection thread	G 1/2
Material of protection tube	brass (carbon steel, stainless steel)
Length of protection tube	40,63,100,160 mm
Temperature range	-30/50, 0/60, 0/120, 0/150, 0/200°C
Connection	straight, angular 90°C
Accuracy	+/- 1 division
Options	another range another unit another connection thermometer body plastic measure medium spirit (red)

* marked execution on special request

Specifications are subject to change without notice

KL T 02XX - 2008/05 E



IDENTIFICATION:

type	dimension mm L	temperature range (°C)	length of protection tube	connection
T 0201	110 x 35	-30/50, 0/60, 0/120, 0/150, 0/200	40, 63, 100, 160	straight
T 0202	110 x 35			angular
T 0203	150 x 35			straight
T 0204	150 x 35			angular
T 0205	200 x 35			straight
T 0206	200 x 35			angular