

**MM 40 S/112/1,6**



**Application:**

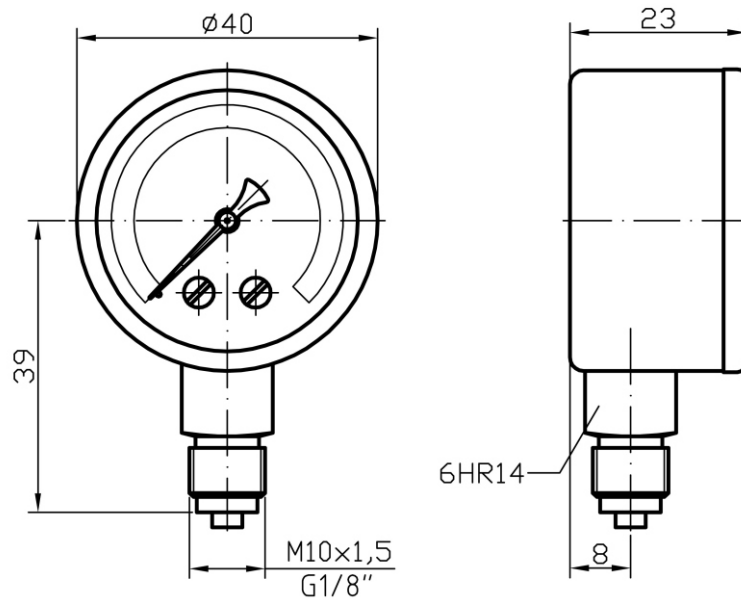
For all gaseous and low-viscosity liquid media that will not obstruct the pressure system or attack copper alloy parts.

Suitable for industry, heating, water supply, air-conditioning, pneumatics.

**Technical parameters:**

Construction:	EN 837-1
Nominal size	40 mm
Accuracy class	1,6%
Scale range	0-60 kPa to 0-6 MPa, 0-0,6 bar to 0-60 bar
Working pressure	static load 75% of full scale value dynamic load 65% of full scale value
Operating temperature	ambient 20.....+60°C medium max. +60°C
Temperature effect	when temperature of the pressure element deviates from reference (+20°C) ± 0,4%/10K
Movement	brass
Dial	white aluminium, dial marking black
Pointner	black aluminium
Lens	polycarbonate
Case	carbon steel black
Measuring element	bourdon tube "C" type
Socket	brass
Connection	lower mount (LM)
Connection thread	M 10x1 (G1/8, other)*
Protection	IP 41 EN 60 529
Options	*

\* marked execution on special request



### IDENTIFICATION:

model	execution	pressure range	flange	weight
<b>MM 40 S/112/1,6</b>	dry	0-0,6 bar ÷ 0-60 bar		65 g