



### TPR 40.10 TPA 41.10

#### Application:

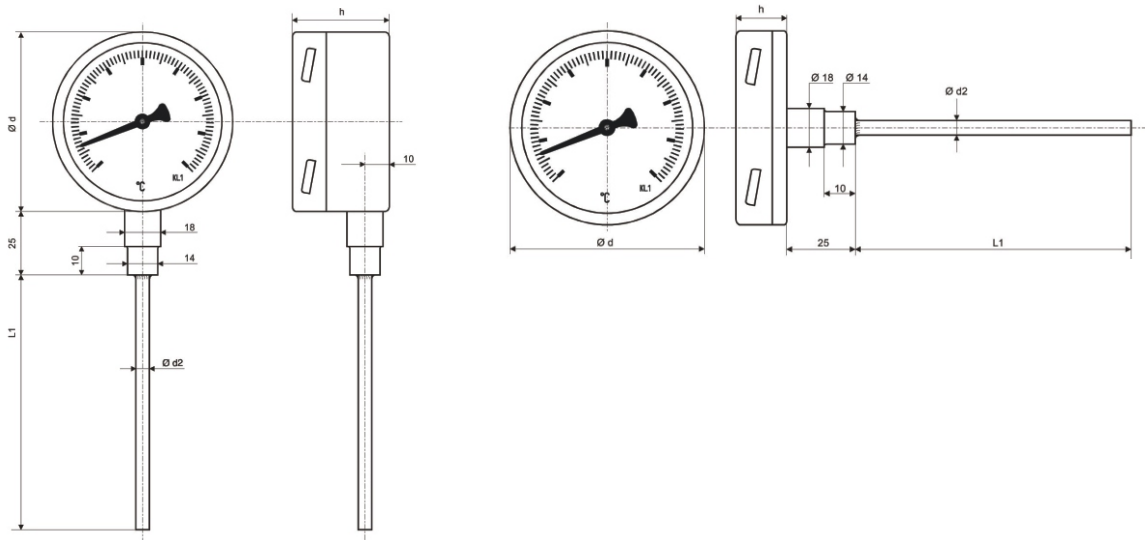
Thermometer is certain for contact measurement of temperature of gaseous or liquid media.

Suitable for chemical industry, food industry, mechanical engineering.

#### Technical parameters:

Construction:	DIN 16 205
Nominal size	63, 80, 100, 160 mm
Thermometer body	bayonet ring, stainless steel
Lens	glass
Dial	white aluminium
Pointer	black aluminium
Scale	black print
Measure element	liquid expansion
Accuracy	class 1 DIN 16 203
Immersion and protection tube	stainless steel
Diam. of immersion tube	6, 8, 10, 12 mm
Length of immersion tube	50, 100, 160, 200, 400 mm
Temperature range	-150.....700 °C
Connection	bottom, backward eccentric
Ambient temperature	-20/60°C
Protection	IP65
Options	another range another unit liquid filling, front or backward flange magnetic contacts
Notice	measuring part of thermometer must be immersed in to measuring medium. Use thermometer with protection thermowell.

\* marked execution on special request



**Dimmension mm**

<b>d 2</b>	6 mm
	8 mm
	10 mm

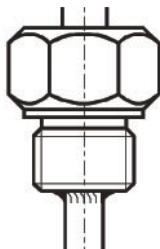
**Dimmension**

<b>d</b>	<b>h</b>
160	28
100	28
80	24
63	20

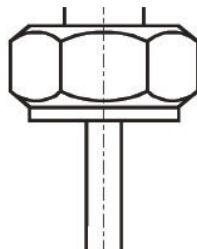
**Connection thread**

G 1/2	M 18x1,5
G 3/4	M 20x1,5
G 1	M 24x1,5

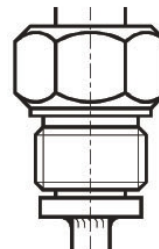
**Fixed thread**



**Union nut**



**Circular thread**



**IDENTIFICATION**

<b>Type</b>	<b>Connection</b>	<b>Mounting</b>
<b>TCHR 40.10</b>	stem	bottom
<b>TCHR 40.11</b>	with fixed thread	bottom
<b>TCHR 40.12</b>	with circular thread	bottom
<b>TCHR 40.13</b>	with union nut	bottom
<b>TCHA 41.10</b>	stem	backward
<b>TCHA 41.11</b>	with fixed thread	backward
<b>TCHA 41.12</b>	with circular thread	backward
<b>TCHA 41.13</b>	with union nut	backward